



**CESAB**

**spec sheet**

# CESAB B800

**6.0 – 8.0 tonne**

Electric counterbalanced trucks



**ZERO**  
emissions

# CESAB B860 – B880H

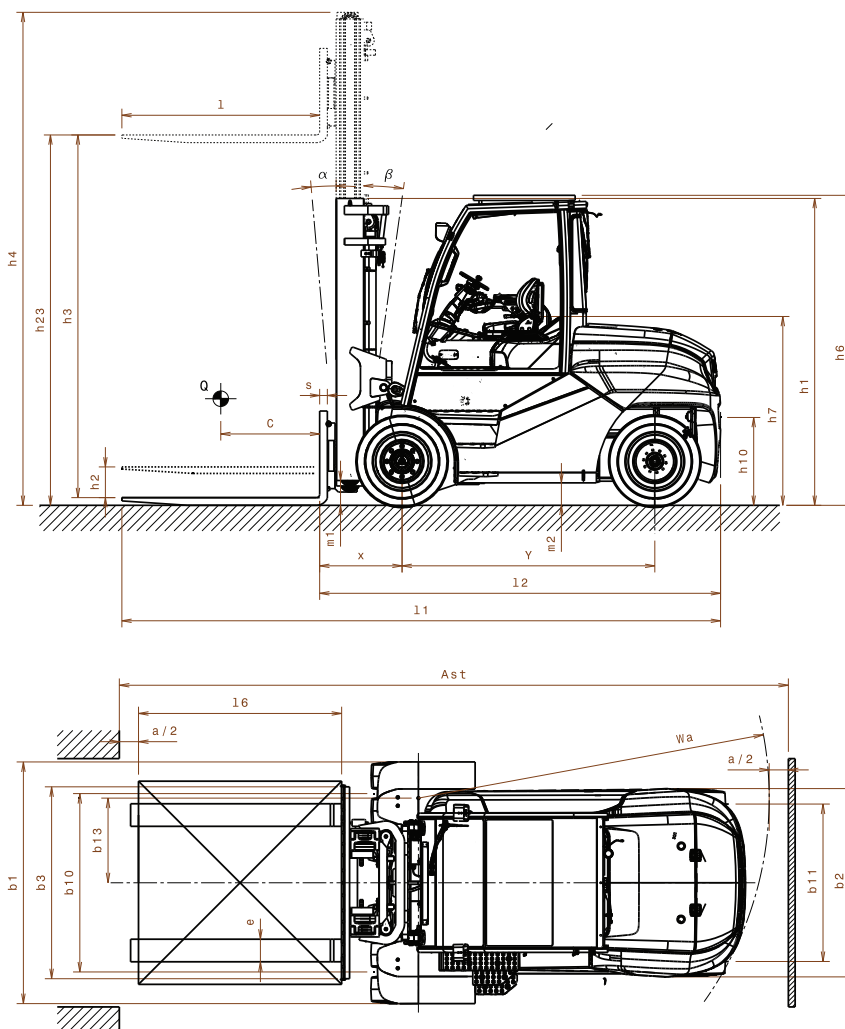
## Truck Specifications

CHARACTERISTICS						
1.1	Manufacturer		CESAB	CESAB	CESAB	CESAB
1.2	Model designation		B860-II	B870-II	B880-II	B880H-II
1.3	Power unit		Electric	Electric	Electric	Electric
1.4	Operation		Driver seated	Driver seated	Driver seated	Driver seated
1.5	Load capacity	Q [t]	6,0	7,0	8,0	8,0
1.6	Load centre distance	c [mm]	600	600	600	900
1.8	Load distance, centre of drive axle to fork face	x [mm]	700	710	715	750
1.9	Wheelbase	y [mm]	2300	2300	2300	2300
WEIGHT						
2.1	Service weight (battery included)	[kg]	12765	13476	14461	15918
2.2	Axle load, with load, front/rear	[kg]	16425/2340	18481/1995	20196/2265	21565/2553
2.3	Axle load, without load, front/rear	[kg]	7034/5731	7494/5892	7622/6839	7826/8092
WHEELS AND TYRES						
3.1	Tyres: P=Pneumatic, SE=Superelastic, C=Cushion, G=Twin tyre		SE	SEG	SEG	SEG
3.2	Tyre size front		355/50-20	8,25-15	300-15	300-15
3.3	Tyre size rear		8,25-15	8,25-15	300-15	300-15
3.5	Wheels, number front/rear (x = driven)		2x/2	4x/2	4x/2	4x/2
3.6	Track width front	b10 [mm]	1328	1510	1575	1575
3.7	Track width, rear	b11 [mm]	1406	1406	1394	1394
DIMENSIONS						
4.1	Mast/fork tilt forward/backward	$\alpha/\beta$ [°]	5/8	5/8	5/8	5/8
4.2	Height, mast lowered	$h_1$ [mm]	2620	2720	2620	2820
4.3	Free lift	$h_2$ [mm]	100	100	100	100
4.4	Lift	$h_3$ [mm]	3300	3300	3300	3300
	Lift height	$h_{23}$ [mm]	3360	3360	3360	3370
4.5	Height, mast extended	$h_4$ [mm]	4252	4352	4255	4480
4.7	Height of overhead guard (cab)	$h_6$ [mm]	2835	2835	2835	2835
4.8	Seat height	$h_7$ [mm]	1710	1710	1710	1710
4.12	Coupling height	$h_{10}$ [mm]	785	785	785	785
4.19	Overall length	$l_1$ [mm]	4680	4690	4695	5450
4.20	Length to face of forks	$l_2$ [mm]	3480	3480	3495	3650
4.21	Overall width	$b_1$ [mm]	1660	2004	2141	2141
4.22	Fork dimensions	s/e/l [mm]	60x200x1200	60x200x1200	60x200x1200	70x200x1800
4.23	Fork carriage DIN 15 173, class/type A, B		IV-A	IV-A	IV-A	IV-A
4.24	Fork carriage width	$b_3$ [mm]	1600	1700	1700	1700
4.31	Ground clearance, with load, below mast	$m_1$ [mm]	220	220	220	220
4.32	Ground clearance, centre of wheelbase	$m_2$ [mm]	210	210	210	210
4.33	Aisle width, pallets 1000x1200 crossways	$A_{st}$ [mm]	4705	4715	4720	4861
4.34	Aisle width, pallets 800x1200 lengthways	$A_{st}$ [mm]	4905	4915	4920	5061
4.35	Turning radius	$W_a$ [mm]	3005	3005	3005	3111
4.36	Internal turning radius	$b_{13}$ [mm]	753	753	753	753
PERFORMANCE						
5.1	Travel speed, with/without load, standard/high speed	[km/h]	18/20	18/20	17/19	16/18
5.2	Lift speed, with/without load, standard/high speed	[m/s]	0,38/0,48	0,36/0,48	0,32/0,42	0,32/0,42
5.3	Lowering speed, with/without load	[m/s]	0,55/0,45	0,55/0,45	0,55/0,45	0,55/0,45
5.5	Drawbar pull, with/without load, standard/high speed	[N]	16573/17749	16237/17558	15848/17418	15562/17132
5.6	Max. drawbar pull, with/without load, standard/high speed	[N]	44600/44600	44600/44600	44600/44600	44600/44600
5.7	Gradeability, with without load, standard/high speed	[%]	7,0/11,0	6,3/10,6	5,6/9,7	5,2/8,7
5.8	Max. gradeability, with/without load, standard/high speed	[%]	19/29	18/27	16/25	16/23
5.9	Acceleration time, with/without load, standard/high speed	[s]	5,1/4,7	5,8/5,1	5,8/5,1	6,0/5,2
5.10	Service brake		hydraulic	hydraulic	hydraulic	hydraulic
ELECTRIC MOTORS						
6.1	Drive motor, rating S2 60 min., standard/high speed	[kW]	2x 21,2	2x 21,2	2x 21,2	2x 21,2
6.2	Lift motor, rating S3 15%, standard/high speed	[kW]	32,0	32,0	32,0	32,0
6.3	Battery according to DIN 43 531/35/36, A, B, C, no		DIN 43536 A	DIN 43536 A	DIN 43536 A	DIN 43536 A
6.4	Battery voltage, nominal capacity $K_s$	[V/Ah]	80/1120	80/1120	80/1120	80/1120
6.5	Battery weight	[kg]	2785	2785	2785	2785
6.6	Energy consumption acc. to EN16796:2016, std./h. speed	[kWh/h]	10,5	11,0	13,1	14,5
OTHERS						
8.1	Type of drive control		AC	AC	AC	AC
8.2	Operating pressure for attachments	[bar]	250	250	250	250
8.3	Oil flow for attachments	[l/min]	80	80	80	80
8.4	Sound level at driver's ear acc. To EN 12 053	[dB(A)]	65,8	65,8	65,8	65,8

Note: unless otherwise specified, all data refer to vehicles with SE tyres. All performance figures refer to fully run-in vehicles, in perfect working status with homologated tyres mix. Truck performance and dimensions are nominal and subject to tolerances.

# CESAB B860 – B880H

## Dimensional Drawings



### Mast Specifications

	Duplex NFL								Duplex FFL			Triplex FFL						
B860-II	h <sub>23</sub> Lift height	3360	3760	4060	4560	5060	5560	6060	3360	3760	4060	4360	4760	5060	5560	6060	6560	7060
	h <sub>3</sub> Lift	3300	3700	4000	4500	5000	5500	6000	3300	3700	4000	4300	4700	5000	5500	6000	6500	7000
	h <sub>1</sub> Height, mast lowered	2620	2820	3020	3270	3520	3770	4020	2620	2820	3020	2620	2720	2820	3020	3220	3420	3620
	h <sub>4</sub> Height, mast extended	4252	4652	4970	5470	5970	6470	6970	4280	4680	4980	5280	5680	5980	6480	6980	7480	7980
	h <sub>2</sub> Free lift	100	100	100	100	100	100	100	1705	1905	2055	1655	1755	1855	2055	2255	2455	2655
a/β Tilt, forward/backward	5/8								5/8			5/8						
B870-II	h <sub>23</sub> Lift height	3360	3760	4060	4560	5060	5560	6060	3360	3760	4060	4360	4760	5060	5560	6060	6560	7060
	h <sub>3</sub> Lift	3300	3700	4000	4500	5000	5500	6000	3300	3700	4000	4300	4700	5000	5500	6000	6500	7000
	h <sub>1</sub> Height, mast lowered	2720	2920	3120	3370	3620	3870	4120	2720	2920	3120	2620	2720	2820	3020	3220	3420	3620
	h <sub>4</sub> Height, mast extended	4352	4752	5070	5570	6070	6570	7070	4280	4680	4980	5280	5680	5980	6480	6980	7480	7980
	h <sub>2</sub> Free lift	100	100	100	100	100	100	100	1740	1940	2140	1655	1755	1855	2055	2255	2455	2655
a/β Tilt, forward/backward	5/8								5/8			5/8						
B880-II (LC 600)	h <sub>23</sub> Lift height	3360	3760	4060	4560	5060	5560	6060	3360	3760	4060	4360	4760	5060	5560	6060	6560	7060
	h <sub>3</sub> Lift	3300	3700	4000	4500	5000	5500	6000	3300	3700	4000	4300	4700	5000	5500	6000	6500	7000
	h <sub>1</sub> Height, mast lowered	2620	2920	3120	3370	3620	3870	4120	2670	2920	3120	2690	2820	2920	3090	3260	3430	3620
	h <sub>4</sub> Height, mast extended	4255	4720	5070	5570	6070	6570	7070	4334	4734	5034	5353	5753	6053	6553	7053	7553	8053
	h <sub>2</sub> Free lift	100	100	100	100	100	100	100	1705	1955	2155	1710	1840	1940	2110	2280	2450	2640
a/β Tilt, forward/backward	5/8								5/8			5/8						
B880H-II (LC 900)	h <sub>23</sub> Lift height	3370	3770	4070	4570	5070	5570	6070	3370	3770	4070	4370	4770	5070	5570	6070	6570	7070
	h <sub>3</sub> Lift	3300	3700	4000	4500	5000	5500	6000	3300	3700	4000	4300	4700	5000	5500	6000	6500	7000
	h <sub>1</sub> Height, mast lowered	2820	3120	3320	3570	3820	4070	4320	2770	3020	3220	2820	2950	3050	3220	3390	3550	3720
	h <sub>4</sub> Height, mast extended	4480	4920	5270	5770	6270	6770	7270	4334	4734	5034	5575	5975	6275	6775	7275	7775	8275
	h <sub>2</sub> Free lift	100	100	100	100	100	100	100	1745	1995	2195	1545	1675	1775	1945	2115	2275	2445
a/β Tilt, forward/backward	5/8								5/8			5/8						

The data in this specification sheet was determined based on our standard testing conditions. Operating performance may vary depending on the actual specification and condition of the truck as well as the condition of the operating area. Availability and specifications are determined regionally and are subject to change without notice. Please consult your authorised CESAB dealership for further details.





[www.cesab-forklifts.eu](http://www.cesab-forklifts.eu)



Your authorised CESAB dealer



Pictures may show optional equipment and accessories not included in the standard execution of the truck.

The data in this specification sheet was determined based on our standard testing conditions. Operating performance may vary depending on the actual specification and condition of the truck as well as the condition of the operating area.

Availability and specifications are determined regionally and are subject to change without notice. Please consult your authorised CESAB dealership for further details.  
SPEC\_B800\_EN\_202110 / Ucan V04 – Copyright CESAB Material Handling Europe.

