

**CESAB**

**spec sheet**

# **CESAB B600**

**2.0 – 3.5 tonne**

2021 model

**4.0 – 5.0 tonne**

2014 model

Electric counterbalanced trucks



# CESAB B620 – B625H

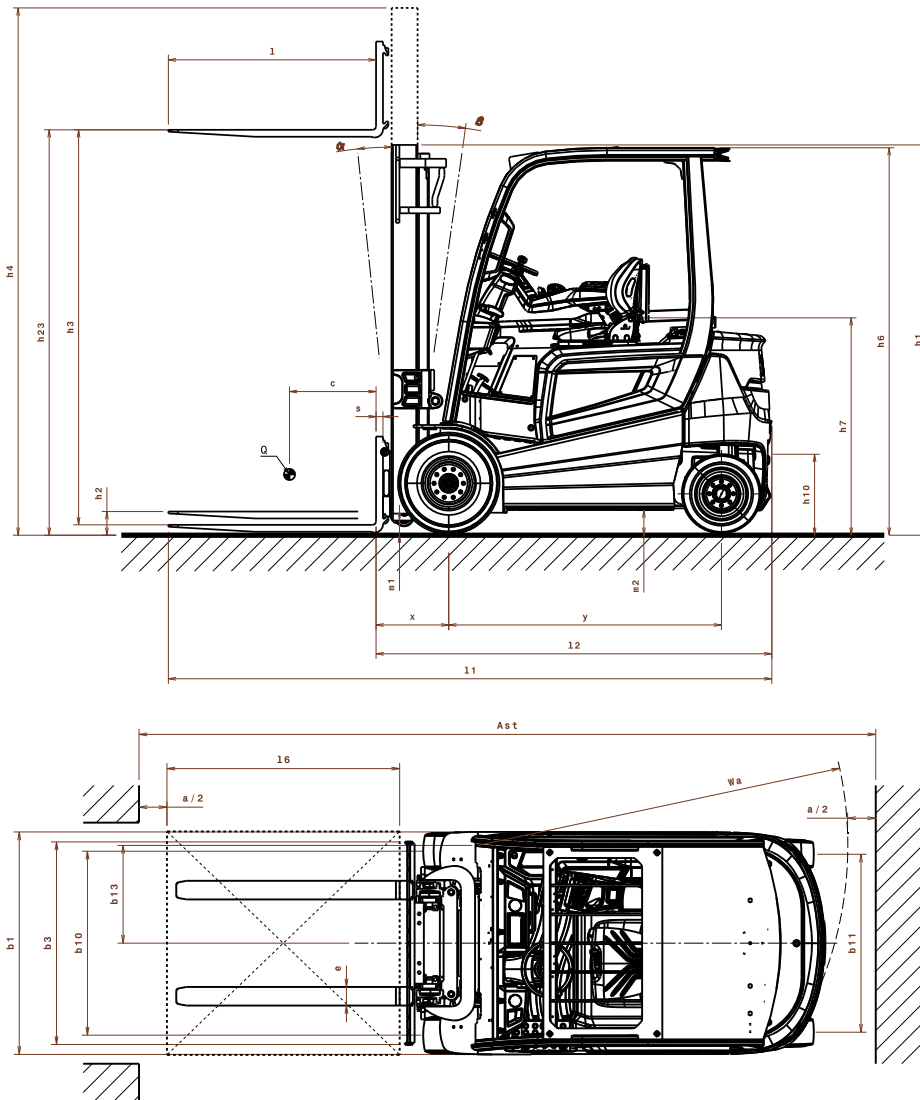
## Truck Specifications

CHARACTERISTICS							
1.1	Manufacturer		CESAB	CESAB	CESAB	CESAB	
1.2	Model designation		B620-II	B625-II	B625L-II	B625HL-II	
1.3	Power unit		Electric	Electric	Electric	Electric	
1.4	Operation		Driver seated	Driver seated	Driver seated	Driver seated	
1.5	Load capacity	Q	[t]	2,0	2,5	2,5	2,5
1.6	Load centre distance	c	[mm]	500	500	500	600
1.8	Load distance, centre of drive axle to fork face	x	[mm]	420	420	420	433
1.9	Wheelbase	y	[mm]	1575	1575	1735	1735
WEIGHT							
2.1	Service weight (battery included)		[kg]	4318	4736	5087	5302
2.2	Axle load, with load, front/rear		[kg]	5295/1024	6235/1001	6298/1290	6706/1096
2.3	Axle load, without load, front/rear		[kg]	2126/2192	2275/2462	2472/2615	2717/2585
WHEELS AND TYRES							
3.1	Tyres: P=Pneumatic, SE=Superelastic, C=Cushion, G=Twin tyre			SE	SE	SE	SE
3.2	Tyre size front			23x9-10	23x9-10	23x9-10	23x10-12
3.3	Tyre size rear			18x7-8	18x7-8	18x7-8	18x7-8
3.5	Wheels, number front/rear (x = driven)			2x/2	2x/2	2x/2	2x/2
3.6	Track width front	b10	[mm]	986	986	986	946
3.7	Track width, rear	b11	[mm]	940	940	940	940
DIMENSIONS							
4.1	Mast/fork tilt forward/backward	$\alpha/\beta$	[°]	4,25/8	4,25/8	4,25/8	4,25/8
4.2	Height, mast lowered	$h_1$	[mm]	2235	2235	2235	2355
4.3	Free lift	$h_2$	[mm]	120	120	120	125
4.4	Lift	$h_3$	[mm]	3300	3300	3300	3300
	Lift height	$h_{23}$	[mm]	3345	3345	3345	3345
4.5	Height, mast extended	$h_4$	[mm]	3979	3979	3979	3950
4.7	Height of overhead guard (cab)	$h_6$	[mm]	2215	2215	2215	2215
4.8	Seat height	$h_7$	[mm]	1230	1230	1230	1230
4.12	Coupling height	$h_{10}$	[mm]	460	460	460	460
4.19	Overall length	$l_1$	[mm]	3280	3280	3440	3653
4.20	Length to face of forks	$l_2$	[mm]	2280	2280	2440	2453
4.21	Overall width	$b_1$	[mm]	1195	1195	1195	1195
4.22	Fork dimensions	s/e/l	[mm]	40x100x1000	40x100x1000	40x100x1000	45x100x1200
4.23	Fork carriage DIN 15 173, class/type A, B			II-A	II-A	II-A	II-A
4.24	Fork carriage width	$b_3$	[mm]	1070	1070	1070	1070
4.31	Ground clearance, with load, below mast	$m_1$	[mm]	95	95	95	95
4.32	Ground clearance, centre of wheelbase	$m_2$	[mm]	132	132	132	132
4.33	Aisle width, pallets 1000x1200 crossways	$A_{st}$	[mm]	3646	3646	3796	3809
4.34	Aisle width, pallets 800x1200 lengthways	$A_{st}$	[mm]	3845	3845	3995	4008
4.35	Turning radius	$W_a$	[mm]	2025	2025	2175	2175
4.36	Internal turning radius	$b_{13}$	[mm]	529	529	545	545
PERFORMANCE							
5.1	Travel speed, with/without load, standard/high speed		[km/h]	16/16-19/20	16/16-19/20	16/16-19/20	16/16-19/20
5.2	Lift speed, with/without load, standard/high speed		[m/s]	0,43/0,60 - 0,46/0,63	0,38/0,60 - 0,46/0,63	0,38/0,60 - 0,46/0,63	n.a. - 0,40/0,55
5.3	Lowering speed, with/without load		[m/s]	0,56/0,45	0,56/0,45	0,56/0,45	0,56/0,45
5.5	Drawbar pull, with/without load, standard/high speed		[N]	8000-10000	8000-10000	8000-10000	8000-10000
5.6	Max. drawbar pull, with/without load, standard/high speed		[N]	18000-20000	18000-20000	18000-20000	18000-20000
5.7	Gradeability, with without load, standard/high speed		[%]	16/26-23/29	14/24-20/29	13/21-19/29	13/20-18/29
5.8	Max. gradeability, with/without load, standard/high speed		[%]	26/29-31/29	20/29-25/29	20/29-25/29	20/29-25/29
5.9	Acceleration time, with/without load, standard/high speed		[s]	4,8/4,5-4,4/4,2	5,0/4,7-4,5/4,2	5,0/4,7-4,6/4,2	5,0/4,7-4,6/4,2
5.10	Service brake			mechanical/hydraulic	mechanical/hydraulic	mechanical/hydraulic	mechanical/hydraulic
ELECTRIC MOTORS							
6.1	Drive motor, rating S2 60 min., standard/high speed		[kW]	16,1-21,4	16,1-21,4	16,1-21,4	16,1-21,4
6.2	Lift motor, rating S3 15%, standard/high speed		[kW]	17,3-16,7	17,3-16,7	17,3-16,7	n.a.-16,7
6.3	Battery according to DIN 43 531/35/36, A, B, C, no			DIN 43536 A	DIN 43536 A	DIN 43536 A	DIN 43536 A
6.4	Battery voltage, nominal capacity $K_5$		[V/Ah]	80/500	80/560	80/700	80/700
6.5	Battery weight		[kg]	1210	1558	1863	1863
6.6	Energy consumption acc. to EN16796:2016, std./h. speed		[kWh/h]	5,8-5,4	6,3 - 5,8	6,4 - 5,9	n.a. - 6,3
OTHERS							
8.1	Type of drive control			AC	AC	AC	AC
8.2	Operating pressure for attachments		[bar]	160	160	160	160
8.3	Oil flow for attachments		[l/min]	40	40	40	40
8.4	Sound level at driver's ear acc. To EN 12 053		[dB(A)]	64,9	64,9	64,9	64,9

Note: unless otherwise specified, all data refer to vehicles with SE tyres. All performance figures refer to fully run-in vehicles, in perfect working status with homologated tyres mix. Truck performance and dimensions are nominal and subject to tolerances.

# CESAB B620 - B625H

## Dimensional Drawings



The data in this specification sheet was determined based on our standard testing conditions. Operating performance may vary depending on the actual specification and condition of the truck as well as the condition of the operating area. Availability and specifications are determined regionally and are subject to change without notice. Please consult your authorised CESAB dealership for further details.

### Mast Specifications

		Duplex NFL (IMD)				Duplex FFL (Std.)*				Duplex FFL (IMD)				Triplex FFL (Std.)*				Triplex FFL (IMD)								
<b>B620 - B625(L)</b> (LC 500)	h <sub>23</sub> Lift height	3040	3340	3740	4040	4540	3040	3340	3740	4040	3040	3340	3740	4040	4340	4740	5040	5540	6040	6540	4340	4740	5040	5540	6040	6540
	h <sub>3</sub> Lift	3000	3300	3700	4000	4500	3000	3300	3700	4000	3000	3300	3700	4000	4300	4700	5000	5500	6000	6500	4300	4700	5000	5500	6000	6500
	h <sub>1</sub> Height, mast lowered	2135	2235	2585	2835	3085	2135	2235	2585	2835	2105	2235	2505	2655	2135	2235	2395	2585	2835	3085	2105	2205	2305	2505	2655	2855
	h <sub>4</sub> Height, mast extended <sup>1)</sup>	3679	3679	4395	4795	5295	3674	3974	4374	4674	3605	3905	4305	4605	4974	5374	5674	6174	6674	7174	4955	5305	5605	6105	6605	7105
	h <sub>4</sub> Height, mast extended <sup>2)</sup>	4220	4520	4920	5220	5720	4289	4589	4989	5289	4220	4520	4920	5220	5589	5989	6289	6789	7289	7789	5570	5920	6220	6720	7220	7720
	h <sub>2</sub> Free lift <sup>1)</sup>	120	120	120	120	120	1501	1601	1951	2201	1500	1630	1900	2050	1461	1561	1721	1911	2161	2411	1500	1600	1700	1900	2050	2250
	h <sub>2</sub> Free lift <sup>2)</sup>	120	120	120	120	120	886	986	1336	1586	925	1055	1325	1475	886	986	1146	1336	1586	1836	925	1025	1125	1325	1475	1675
a/β Tilt, forward/backward	4,25/8,0					4,25/8,0					4,25/8,0					4,25/6,0					4,25/6,0					
<b>B625HL</b> (LC 600)	h <sub>23</sub> Lift height	3045	3345	3745	4045	4545	3045	3345	3745	4045	3045	3345	3745	4045	4345	4735	5045	5545	6045	6545	4395	4745	5045	5545	6045	6545
	h <sub>3</sub> Lift	3000	3300	3700	4000	4500	3000	3300	3700	4000	3000	3300	3700	4000	4300	4690	5000	5500	6000	6500	4350	4700	5000	5500	6000	6500
	h <sub>1</sub> Height, mast lowered	2205	2355	2555	2755	3055	2135	2255	2585	2835	2205	2355	2550	2755	2135	2235	2395	2585	2835	3085	2205	2305	2405	2555	2755	2955
	h <sub>4</sub> Height, mast extended <sup>1)</sup>	3650	3950	4350	4715	5265	3730	4030	4430	4730	3655	3955	4355	4655	4930	5320	5630	6130	6630	7130	5000	5350	5650	6150	6650	7150
	h <sub>4</sub> Height, mast extended <sup>2)</sup>	4215	4515	4915	5215	5715	4295	4595	4995	5295	4220	4520	4920	5220	5495	5885	6195	6695	7195	7695	5565	5915	6215	6715	7215	7715
	h <sub>2</sub> Free lift <sup>1)</sup>	125	125	125	125	125	1405	1525	1855	2105	1565	1715	1915	2115	1505	1605	1795	1955	2205	2455	1555	1655	1755	1905	2105	2305
	h <sub>2</sub> Free lift <sup>2)</sup>	125	125	125	125	125	885	1005	1335	1585	1030	1180	1380	1580	985	1085	1245	1435	1685	1935	1035	1135	1235	1385	1585	1785
a/β Tilt, forward/backward	4,25/8,0					4,25/8,0					4,25/8,0					4,25/6,0					4,25/6,0					

\*) Standard with central free lift cylinder

1) without load backrest

2) with std. load backrest 1220 mm

# CESAB B630 - B635

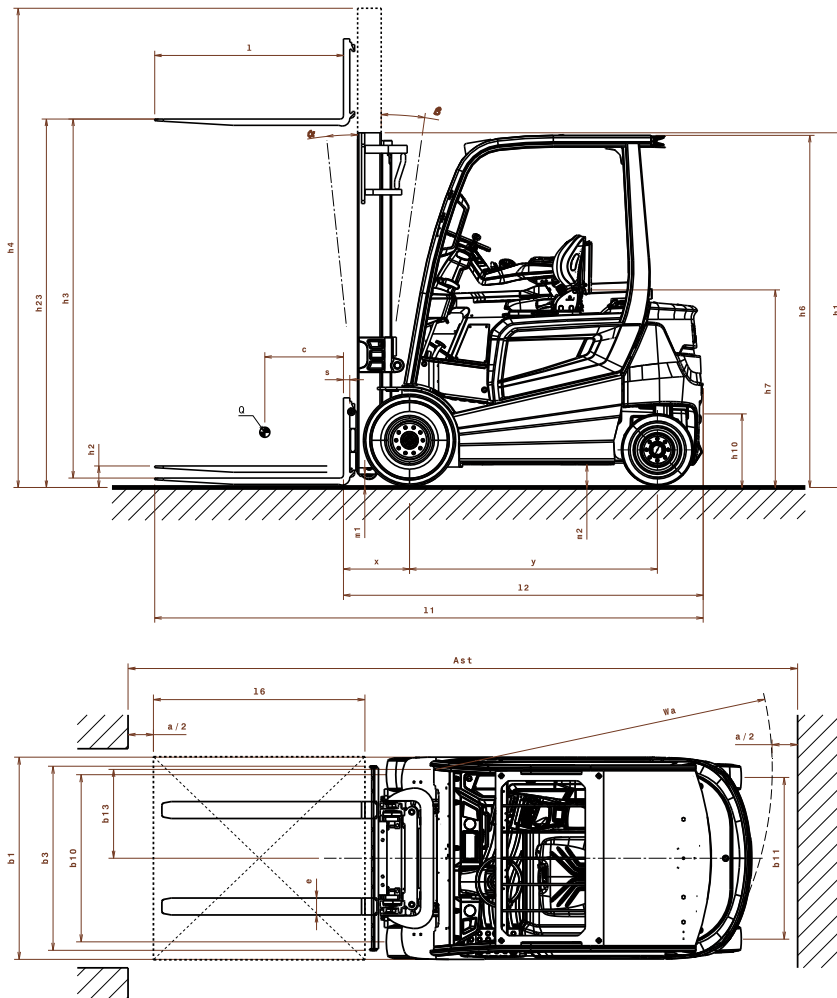
## Truck Specifications

CHARACTERISTICS							
1.1	Manufacturer		CESAB	CESAB	CESAB	CESAB	
1.2	Model designation		B630-II	B630L-II	B630HL-II	B635-II	
1.3	Power unit		Electric	Electric	Electric	Electric	
1.4	Operation		Driver seated	Driver seated	Driver seated	Driver seated	
1.5	Load capacity	Q	[t]	3,0	3,0	3,0	3,5
1.6	Load centre distance	c	[mm]	500	500	600	500
1.8	Load distance, centre of drive axle to fork face	x	[mm]	440	440	433	440
1.9	Wheelbase	y	[mm]	1575	1735	1735	1735
WEIGHT							
2.1	Service weight (battery included)		[kg]	5335	5365	5651	5721
2.2	Axle load, with load, front/rear		[kg]	7287/1048	7340/1025	7491/1160	8106/1115
2.3	Axle load, without load, front/rear		[kg]	2496/2839	2630/2626	2705/2946	2709/3012
WHEELS AND TYRES							
3.1	Tyres: P=Pneumatic, SE=Superelastic, C=Cushion, G=Twin tyre			SE	SE	SE	SE
3.2	Tyre size front			23x10-12	23x10-12	23x10-12	315/45-12
3.3	Tyre size rear			18x7-8	18x7-8	200/50-10	200/50-10
3.5	Wheels, number front/rear (x = driven)			2x/2	2x/2	2x/2	2x/2
3.6	Track width front	b10	[mm]	946	946	946	1009
3.7	Track width, rear	b11	[mm]	940	940	962	962
DIMENSIONS							
4.1	Mast/fork tilt forward/backward	$\alpha/\beta$	[°]	4,25/8	4,25/8	4,25/8	4,25/8
4.2	Height, mast lowered	$h_1$	[mm]	2395	2395	2355	2395
4.3	Free lift	$h_2$	[mm]	125	125	125	125
4.4	Lift	$h_3$	[mm]	3300	3300	3300	3300
	Lift height	$h_{23}$	[mm]	3345	3345	3345	3345
4.5	Height, mast extended	$h_4$	[mm]	4035	4035	3950	4035
4.7	Height of overhead guard (cab)	$h_6$	[mm]	2215	2215	2215	2215
4.8	Seat height	$h_7$	[mm]	1230	1230	1230	1230
4.12	Coupling height	$h_{10}$	[mm]	460	460	460	460
4.19	Overall length	$l_1$	[mm]	3328	3460	3681	3488
4.20	Length to face of forks	$l_2$	[mm]	2328	2460	2481	2488
4.21	Overall width	$b_1$	[mm]	1195	1195	1195	1299
4.22	Fork dimensions	s/e/l	[mm]	45x100x1000	45x100x1000	45x125x1200	45x125x1000
4.23	Fork carriage DIN 15 173, class/type A, B			III-A	III-A	III-A	III-A
4.24	Fork carriage width	$b_3$	[mm]	1070	1070	1070	1070
4.31	Ground clearance, with load, below mast	$m_1$	[mm]	95	95	95	95
4.32	Ground clearance, centre of wheelbase	$m_2$	[mm]	132	132	132	132
4.33	Aisle width, pallets 1000x1200 crossways	$A_{st}$	[mm]	3679	3816	3834	3841
4.34	Aisle width, pallets 800x1200 lengthways	$A_{st}$	[mm]	3878	4015	4033	4040
4.35	Turning radius	$W_a$	[mm]	2038	2175	2200	2200
4.36	Internal turning radius	$b_{13}$	[mm]	529	545	545	545
PERFORMANCE							
5.1	Travel speed, with/without load, standard/high speed		[km/h]	16/16-19/20	16/16-19/20	16/16-19/20	16/16-19/20
5.2	Lift speed, with/without load, standard/high speed		[m/s]	0,34/0,52 - 0,40/0,55	0,34/0,52 - 0,40/0,55	n.a. - 0,40/0,55	n.a. - 0,37/0,55
5.3	Lowering speed, with/without load		[m/s]	0,56/0,45	0,56/0,45	0,56/0,45	0,56/0,45
5.5	Drawbar pull, with/without load, standard/high speed		[N]	8000-10000	8000-10000	8000-10000	8000-10000
5.6	Max. drawbar pull, with/without load, standard/high speed		[N]	18000-20000	18000-20000	18000-20000	18000-20000
5.7	Gradeability, with without load, standard/high speed		[%]	12/20 - 17/29	12/20 - 17/29	11/19 - 16/27	10/18 - 15/26
5.8	Max. gradeability, with/without load, standard/high speed		[%]	19/29 - 23/29	19/29 - 23/29	18/29 - 23/29	17/29-20/29
5.9	Acceleration time, with/without load, standard/high speed		[s]	5,2/4,8 - 4,7/4,2	5,2/4,8 - 4,8/4,2	5,3/4,9 - 4,8/4,3	5,3/5,0 - 4,9/4,3
5.10	Service brake			mechanical/ hydraulic	mechanical/ hydraulic	mechanical/ hydraulic	mechanical/ hydraulic
ELECTRIC MOTORS							
6.1	Drive motor, rating S2 60 min., standard/high speed		[kW]	16,1-21,4	16,1-21,4	n.a. - 21,4	n.a. - 21,4
6.2	Lift motor, rating S3 15%, standard/high speed		[kW]	17,3-16,7	17,3-16,7	n.a. - 16,7	n.a. - 16,7
6.3	Battery according to DIN 43 531/35/36, A, B, C, no			DIN 43536 A	DIN 43536 A	DIN 43536 A	DIN 43536 A
6.4	Battery voltage, nominal capacity $K_5$		[V/Ah]	80/560	80/700	80/700	80/700
6.5	Battery weight		[kg]	1558	1863	1863	1863
6.6	Energy consumption acc. to EN16796:2016, std./h. speed		[kWh/h]	7,2 - 6,7	7,2 - 6,7	n.a. - 7,2	n.a. - 7,6
OTHERS							
8.1	Type of drive control			AC	AC	AC	AC
8.2	Operating pressure for attachments		[bar]	160	160	160	160
8.3	Oil flow for attachments		[l/min]	40	40	40	40
8.4	Sound level at driver's ear acc. To EN 12 053		[dB(A)]	64,9	64,9	64,9	64,9

Note: unless otherwise specified, all data refer to vehicles with SE tyres. All performance figures refer to fully run-in vehicles, in perfect working status with homologated tyres mix. Truck performance and dimensions are nominal and subject to tolerances.

# CESAB B630 – B635H

## Dimensional Drawings



The data in this specification sheet was determined based on our standard testing conditions. Operating performance may vary depending on the actual specification and condition of the truck as well as the condition of the operating area. Availability and specifications are determined regionally and are subject to change without notice. Please consult your authorised CESAB dealership for further details.

### Mast Specifications

		Duplex NFL (IMD)				Duplex FFL (Std.)*				Duplex FFL (IMD)				Triplex FFL (Std.)*				Triplex FFL (IMD)									
<b>B630 – B630L (LC 500)</b>	h <sub>23</sub>	Lift height	3005	3345	3745	4045	4545	3045	3345	3745	4045	3045	3345	3745	4045	4345	4765	5045	5545	6045	6545	4395	4745	5045	5545	6045	6545
	h <sub>3</sub>	Lift	2960	3300	3700	4000	4500	3000	3300	3700	4000	3000	3300	3700	4000	4300	4690	5000	5500	6000	6500	4350	4700	5000	5500	6000	6500
	h <sub>1</sub>	Height, mast lowered	2215	2395	2585	2835	3085	2135	2255	2585	2835	2205	2355	2550	2755	2135	2235	2395	2585	2835	3085	2205	2305	2405	2505	2755	2955
	h <sub>4</sub>	Height, mast extended <sup>1)</sup>	3695	4035	4435	4795	5295	3730	4030	4430	4730	3655	3955	4355	4655	4930	5320	5630	6130	6630	7130	5000	5350	5650	6150	6650	7150
	h <sub>4</sub>	Height, mast extended <sup>2)</sup>	4260	4560	4960	5260	5760	4295	4595	4995	5295	4220	4520	4920	5220	5495	5885	6195	6695	7195	7695	5565	5915	6215	6715	7215	7715
	h <sub>2</sub>	Free lift <sup>1)</sup>	125	125	125	125	125	1405	1525	1855	2105	1565	1715	1915	2115	1505	1605	1765	1955	2205	2455	1555	1655	1755	1905	2105	2305
	h <sub>2</sub>	Free lift <sup>12)</sup>	125	125	125	125	125	885	1005	1335	1585	1030	1180	1380	1580	985	1085	1245	1435	1685	1935	1035	1135	1235	1385	1585	1785
	a/β	Tilt, forward/backward	4,25/8,0								4,25/8,0				4,25/6,0				4,25/6,0								
<b>B630HL (LC 600)</b>	h <sub>23</sub>	Lift height	3045	3345	3745	4045	4545	3045	3345	3745	4045	3045	3345	3745	4045	4345	4735	5045	5545	6045	6545	4395	4745	5045	5545	6045	6545
	h <sub>3</sub>	Lift	3000	3300	3700	4000	4500	3000	3300	3700	4000	3000	3300	3700	4000	4300	4700	5000	5500	6000	6500	4350	4700	5000	5500	6000	6500
	h <sub>1</sub>	Height, mast lowered	2205	2355	2555	2755	3055	2215	2395	2835	3085	2205	2355	2550	2755	2215	2395	2585	2835	3085	3335	2205	2305	2405	2505	2755	2955
	h <sub>4</sub>	Height, mast extended <sup>1)</sup>	3650	3950	4350	4715	5265	3730	4030	4430	4730	3655	3955	4355	4655	5030	5430	5730	6230	6730	7230	5000	5350	5650	6150	6650	7150
	h <sub>4</sub>	Height, mast extended <sup>2)</sup>	4215	4515	4915	5215	5715	4295	4595	4995	5295	4220	4520	4920	5220	5595	5995	6295	6795	7295	7795	5565	5915	6215	6715	7215	7715
	h <sub>2</sub>	Free lift <sup>1)</sup>	125	125	125	125	125	1485	1665	2105	2355	1565	1715	1915	2115	1485	1665	1855	2105	2355	2605	1555	1655	1755	1905	2105	2305
	h <sub>2</sub>	Free lift <sup>12)</sup>	125	125	125	125	125	965	1145	1585	1835	1030	1180	1380	1580	965	1145	1335	1585	1835	2085	1035	1135	1235	1385	1585	1785
	a/β	Tilt, forward/backward	4,25/8,0								4,25/8,0				4,25/6,0				4,25/6,0								
<b>B635 (LC 500)</b>	h <sub>23</sub>	Lift height	3005	3345	3745	4045	4545	3045	3345	3745	4045	3045	3345	3745	4045	4345	4745	5045	5545	6045	6545	4395	4745	5045	5545	6045	6545
	h <sub>3</sub>	Lift	2960	3300	3700	4000	4500	3000	3300	3700	4000	3000	3300	3700	4000	4300	4700	5000	5500	6000	6500	4350	4700	5000	5500	6000	6500
	h <sub>1</sub>	Height, mast lowered	2215	2395	2585	2835	3085	2215	2395	2835	3085	2205	2355	2550	2755	2215	2395	2585	2835	3085	3335	2205	2305	2405	2505	2755	2955
	h <sub>4</sub>	Height, mast extended <sup>1)</sup>	3695	4035	4435	4795	5295	3730	4030	4430	4730	3655	3955	4355	4655	5030	5430	5730	6230	6730	7230	5000	5350	5650	6150	6650	7150
	h <sub>4</sub>	Height, mast extended <sup>2)</sup>	4260	4560	4960	5260	5760	4295	4595	4995	5295	4220	4520	4920	5220	5595	5995	6295	6795	7295	7795	5565	5915	6215	6715	7215	7715
	h <sub>2</sub>	Free lift <sup>1)</sup>	125	125	125	125	125	1485	1665	2105	2355	1565	1715	1915	2115	1485	1665	1855	2105	2355	2605	1555	1655	1755	1905	2105	2305
	h <sub>2</sub>	Free lift <sup>12)</sup>	125	125	125	125	125	965	1145	1585	1835	1030	1180	1380	1580	965	1145	1335	1585	1835	2085	1035	1135	1235	1385	1585	1785
	a/β	Tilt, forward/backward	4,25/8,0								4,25/8,0				4,25/6,0				4,25/6,0								

\*) Standard with central free lift cylinder

1) without load backrest

2) with std. load backrest 1220 mm

# CESAB B640 - B650 (2014 model)

## Truck Specifications

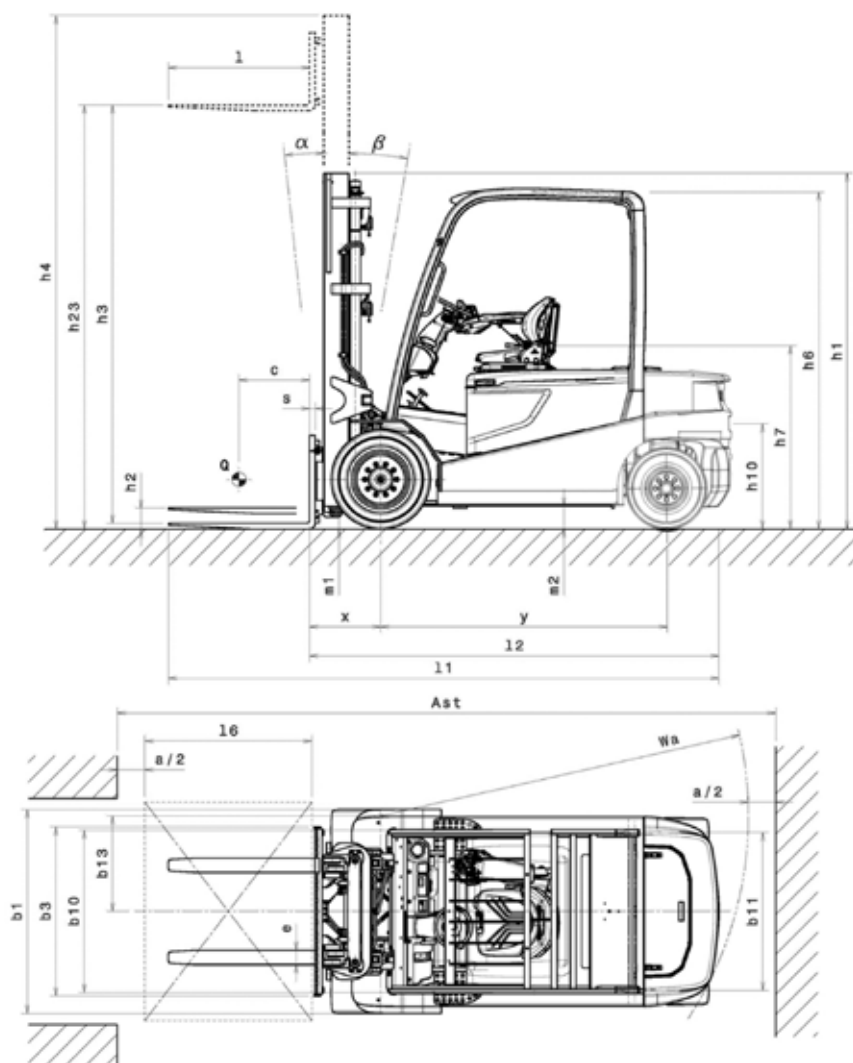
CHARACTERISTICS					
1.1	Manufacturer		CESAB	CESAB	CESAB
1.2	Model designation		B640	B645	B650
1.3	Power unit		Electric	Electric	Electric
1.4	Operation		Driver seated	Driver seated	Driver seated
1.5	Load capacity	Q [t]	4,0	4,5	5,0
1.6	Load centre distance	c [mm]	500	500	600
1.8	Load distance, centre of drive axle to fork face	x [mm]	522	522	532
1.9	Wheelbase	y [mm]	2030	2030	2030
WEIGHT					
2.1	Service weight (battery included)	[kg]	6546	7086	7738
2.2	Axle load, with load, front/rear	[kg]	9569/1078	10284/1304	11347/1392
2.3	Axle load, without load, front/rear	[kg]	3554/3092	3517/3570	3557/4181
WHEELS AND TYRES					
3.1	Tyres: P=Pneumatic, SE=Superelastic, C=Cushion, G=Twin tyre		SE	SE	SE
3.2	Tyre size front		250-15	250-15	28x12.5-15
3.3	Tyre size rear		23x9-10	23x9-10	23x9-10
3.5	Wheels, number front/rear (x = driven)		2x/2	2x/2	2x/2
3.6	Track width front	b10 [mm]	1119	1119	1145
3.7	Track width, rear	b11 [mm]	1113	1113	1113
DIMENSIONS					
4.1	Mast/fork tilt forward/backward	$\alpha/\beta$ [°]	5/10	5/10	5/10
4.2	Height, mast lowered	$h_1$ [mm]	2500	2500	2500
4.3	Free lift	$h_2$ [mm]	80	80	80
4.4	Lift	$h_3$ [mm]	3300	3300	3300
	Lift height	$h_{23}$ [mm]	3350	3350	3360
4.5	Height, mast extended	$h_4$ [mm]	4156	4156	4156
4.7	Height of overhead guard (cab)	$h_6$ [mm]	2360	2360	2360
4.8	Seat height	$h_7$ [mm]	1277	1277	1277
4.12	Coupling height	$h_{10}$ [mm]	720	720	720
4.19	Overall length	$l_1$ [mm]	4092	4117	4227
4.20	Length to face of forks	$l_2$ [mm]	2892	2917	3027
4.21	Overall width	$b_1$ [mm]	1345	1345	1440
4.22	Fork dimensions	s/e/l [mm]	50x150x1200	50x150x1200	60x150x1200
4.23	Fork carriage DIN 15 173, class/type A, B		III-A	III-A	III-A
4.24	Fork carriage width	$b_3$ [mm]	1170	1170	1170
4.31	Ground clearance, with load, below mast	$m_1$ [mm]	150	150	150
4.32	Ground clearance, centre of wheelbase	$m_2$ [mm]	145	145	145
4.33	Aisle width, pallets 1000x1200 crossways	$A_{st}$ [mm]	4311	4331	4433
4.34	Aisle width, pallets 800x1200 lengthways	$A_{st}$ [mm]	4511	4531	4633
4.35	Turning radius	$W_a$ [mm]	2589	2609	2701
4.36	Internal turning radius	$b_{13}$ [mm]	685	685	685
PERFORMANCE					
5.1	Travel speed, with/without load, standard/high speed	[km/h]	17,5 / 17,5	17,5 / 17,5	17,5 / 17,5
5.2	Lift speed, with/without load, standard/high speed	[m/s]	0,33/0,47	0,33/0,47	0,31 / 0,44
5.3	Lowering speed, with/without load	[m/s]	0,55/0,46	0,55/0,46	0,55/0,45
5.5	Drawbar pull, with/without load, standard/high speed	[N]	12420	12420	12420
5.6	Max. drawbar pull, with/without load, standard/high speed	[N]	22000	22000	22000
5.7	Gradeability, with without load, standard/high speed	[%]	11,3/17,0	9,5/16,8	8,8/15,8
5.8	Max. gradeability, with/without load, standard/high speed	[%]	15/25	14/24	13/23
5.9	Acceleration time, with/without load, standard/high speed	[s]	5,4/4,8	5,5/4,8	5,6/4,9
5.10	Service brake		mechanical/ hydraulic	mechanical/ hydraulic	mechanical/ hydraulic
ELECTRIC MOTORS					
6.1	Drive motor, rating S2 60 min., standard/high speed	[kW]	25,2	25,2	25,2
6.2	Lift motor, rating S3 15%, standard/high speed	[kW]	25,5	25,5	25,5
6.3	Battery according to DIN 43 531/35/36, A, B, C, no		DIN 43536	DIN 43536	DIN 43536
6.4	Battery voltage, nominal capacity $K_s$	[V/Ah]	80/840	80/840	80/840
6.5	Battery weight	[kg]	2178	2178	2178
6.6	Energy consumption acc. to EN16796:2016, std./h. speed	[kWh/h]			
OTHERS					
8.1	Type of drive control		AC	AC	AC
8.2	Operating pressure for attachments	[bar]	adjustable 160 - 180	adjustable 160 - 180	adjustable 160 - 180
8.3	Oil flow for attachments	[l/min]	70	70	70
8.4	Sound level at driver's ear acc. To EN 12 053	[dB(A)]	68	68	68

Note: unless otherwise specified, all data refer to vehicles with SE tyres. All performance figures refer to fully run-in vehicles, in perfect working status with homologated tyres mix. Truck performance and dimensions are nominal and subject to tolerances.



# CESAB B640 - B650 (2014 model)

## Dimensional Drawings



The data in this specification sheet was determined based on our standard testing conditions. Operating performance may vary depending on the actual specification and condition of the truck as well as the condition of the operating area. Availability and specifications are determined regionally and are subject to change without notice. Please consult your authorised CESAB dealership for further details.

### Mast Specifications

			Duplex NFL (IMD)						Duplex FFL (IMD)				Triplex FFL (IMD)						
B640 - B645	h <sub>23</sub>	Lift height	3050	3350	3750	4050	4550	5050	5550	3050	3350	3750	4050	4450	4750	5050	5550	6050	6550
	h <sub>3</sub>	Lift	3000	3300	3700	4000	4500	5000	5500	3000	3300	3700	4000	4400	4700	5000	5500	6000	6500
	h <sub>1</sub>	Height, mast lowered	2360	2500	2750	2880	3130	3380	3630	2360	2500	2750	2880	2360	2440	2500	2750	2880	3130
	h <sub>4</sub>	Height, mast extended <sup>1)</sup>	3856	4156	4556	4856	5356	5856	6356	3890	4190	4590	4890	5290	5590	5890	6390	6890	7390
	h <sub>2</sub>	Free lift <sup>1)</sup>	80	80	80	80	80	80	80	1470	1610	1860	1990	1470	1550	1610	1860	1990	2240
a/β	Tilt, forward/backward	5/10	5/10	5/10	5/10	5/6	5/6	5/6	5/6				5/6						

B650	h <sub>23</sub>	Lift height	3060	3360	3760	4060	4560	5060	5560	2860	3360	3760	4060	4360	4760	5060	5560	6060	6560
	h <sub>3</sub>	Lift	3000	3300	3700	4000	4500	5000	5500	2800	3300	3700	4000	4300	4700	5000	5500	6000	6500
	h <sub>1</sub>	Height, mast lowered	2360	2500	2750	2880	3130	3380	3630	2360	2630	2880	3130	2360	2500	2630	2880	3130	3380
	h <sub>4</sub>	Height, mast extended <sup>1)</sup>	3856	4156	4556	4856	5356	5856	6356	3690	4190	4590	4890	5190	5590	5890	6390	6890	7390
	h <sub>2</sub>	Free lift <sup>1)</sup>	80	80	80	80	80	80	80	1470	1740	1990	2240	1470	1610	1740	1990	2240	2490
a/β	Tilt, forward/backward	5/10	5/10	5/10	5/10	5/6	5/6	5/6	5/6				5/6						

<sup>1)</sup> without load backrest



Your authorised CESAB dealer



Pictures may show optional equipment and accessories not included in the standard execution of the truck.

The data in this specification sheet was determined based on our standard testing conditions. Operating performance may vary depending on the actual specification and condition of the truck as well as the condition of the operating area.

Availability and specifications are determined regionally and are subject to change without notice. Please consult your authorised CESAB dealership for further details.  
SPEC\_B600\_EN\_202110 / Ucan V03 – Copyright CESAB Material Handling Europe.

