

CESAB B200 1.0 - 1.5 tonne

Three wheel electric counterbalanced trucks



Truck Specifications



1.0 - 1.5 tonne 3 wheels

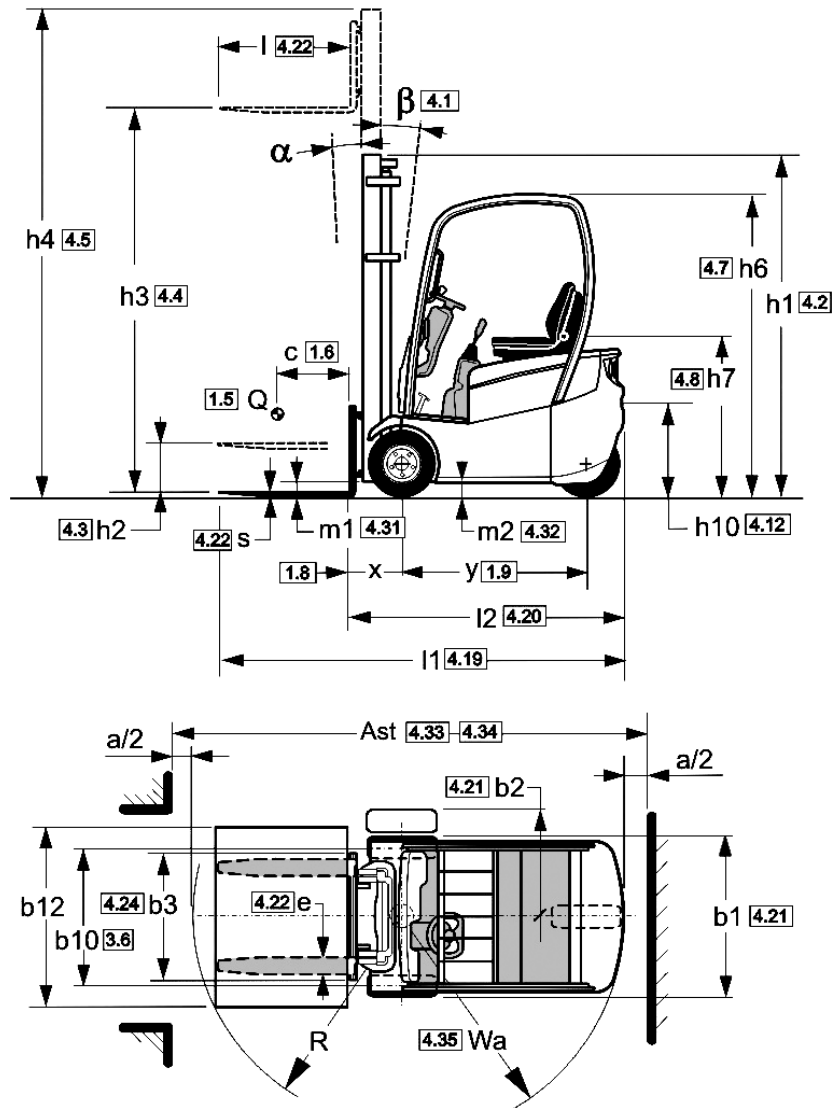
CESAB B210 - B215 Truck Specifications

CHARACTERISTICS							
1.1	Manufacturer		CESAB		CESAB		CESAB
1.2	Model designation		B 210		B 213		B 215
1.3	Power unit: electric (battery), diesel, petrol, LPG		Electric		Electric		Electric
1.4	Operation: manual, pedestrian, stand-on, driver seated		Driver seated		Driver seated		Driver seated
1.5	Load capacity	Q [t]	1,0		1,25		1,5
1.6	Load centre	c [mm]	500		500		500
1.8	Axle centre to fork face	x [mm]	330	a	330	a	330
1.9	Wheel-base	y [mm]	984		1146		1200
WEIGHTS							
2.1	Weight	kg	2550		2820		2930
2.2	Axle load with load, front/rear	kg	2950 / 600		3390 / 680		3820 / 610
2.3	Axle load without load, front/rear	kg	1100 / 1450		1230 / 1590		1280 / 1650
WHEELS AND CHASSIS							
3.1	Tyres: C=Cushion, SE=Superelastic, PN=Pneumatic, TW=Twin		C/SE/PN		C/SE/PN		C/SE/PN
3.2	Tyre size, front		457x152 / 18x7-8 / 18x7-8		457x152 / 18x7-8 / 18x7-8		457x178 / 18x7-8 / 18x7-8
3.3	Tyre size, rear		457x152 / 18x7-8 / 18x7-8		457x152 / 18x7-8 / 18x7-8		457x178 / 18x7-8 / 18x7-8
3.5	Wheels, number front/rear (x = driven)		2 / 1x		2 / 1x		2 / 1x
3.6	Track width, front	b ₁₀ [mm]	837 / 837 / 847	b	837 / 837 / 847	b	881 / 837 / 847
3.7	Track width, rear	b ₁₁ [mm]	0		0		0
DIMENSIONI							
4.1	Mast tilt, forward/backward	α / β [°]	3° / 6°		3° / 6°		3° / 6°
4.2	Height of mast, lowered	h ₁ [mm]	2140		2140		2140
4.3	Free lift	h ₂ [mm]	80		80		80
4.4	Lift height	h ₃ [mm]	3270		3270		3270
4.5	Height of mast, extended	h ₄ [mm]	3820		3820		3820
4.7	Height of overhead guard	h ₅ [mm]	1980	d	1980		1980
4.8	Height of driver's seat	h ₇ [mm]	941		941		941
4.12	Towing coupling height	h ₁₀ [mm]	615		615		615
4.19	Overall length	l ₁ [mm]	2564	a	2726	a	2780
4.20	Length to fork face	l ₂ [mm]	1564	a	1726	a	1780
4.21	Overall width	b ₁ , b ₂ [mm]	990 / 990 / 1030	e	990 / 990 / 1030	e	1062 / 990 / 1030
4.22	Fork dimensions	s/e/l [mm]	35 x 100 x 1000		35 x 100 x 1000		35 x 100 x 1000
4.23	Fork carriage to DIN 15173, class/form A, B		II A		II A		II A
4.24	Width of fork carriage	b ₃ [mm]	900		900		900
4.31	Floor clearance, mast (with load)	m ₁ [mm]	90		90		90
4.32	Floor clearance, centre of wheel-base (with load)	m ₂ [mm]	90		90		90
4.33	Aisle width with pallets 1000 x 1200 across forks	Ast [mm]	2893		3055		3109
4.34	Aisle width with pallets 800 x 1200 along forks	Ast [mm]	3015		3177		3231
4.35	Turning radius	Wa [mm]	1234		1396		1450
4.36	Minimum distance between the centres of rotation	b ₁₃ [mm]	-		-		-
PERFORMANCE							
5.1	Travel speed, with/without load	km/h	12 / 12,5		12 / 12,5		12 / 12,5
5.2	Lifting speed, with/without load	m/s	0.32 / 0.52		0.31 / 0.52		0.30 / 0.52
5.3	Lowering speed, with/without load	m/s	0.59 / 0.52		0.59 / 0.52		0.59 / 0.52
5.5	Tractive force, with/without load	N	1470 / 1670		1420 / 1670		1370 / 1670
5.6	Maximum tractive force, with/without load, S2 5 minute rating	N	7300 / 7500	f	7250 / 7500	f	7200 / 7500
5.7	Climbing ability, with/without load, S2 30 minute rating	%	8 / 12,5		7 / 11,5		6,5 / 11
5.8	Maximum climbing ability, with/without load, S2 5 minute rating	%	19 / 25	f	17 / 25	f	16 / 25
5.9	Acceleration time, with/without load	s	-		-		-
5.10	Service brake: mechanical/hydraulic/electric/pneumatic		Electronic / Hydraulic		Electronic / Hydraulic		Electronic / Hydraulic
ELECTRIC MOTOR							
6.1	Drive motor, S2 60 minute rating	kW	5.1		5.1		5.1
6.2	Lift motor, S3 15% rating	kW	7.5		7.5		7.5
6.3	Battery according to DIN 43531/35/36 A, B, C, NO		DIN 43535 A		DIN 43535 A		DIN 43535 A
6.4	Battery voltage/rated capacity (5 h)	V/Ah	24 / 400 - 500		24 / 700 - 875		24 / 800 - 1000
6.5	Battery weight	kg	372		600		676
6.6	Energy consumption in acc. with VDI-cycle	kWh/h	-		-		-
OTHERS							
8.1	Type of drive control		Inverter MOSFET		Inverter MOSFET		Inverter MOSFET
8.2	Working pressure for attachments	bar	140		140		140
8.3	Oil flow for attachments	l/min	-		-		-
8.4	Noise level at driver's ear	dB (A)	-		-		-
8.5	Towing coupling, design/type DIN		-		-		-

(a) With side shift = +34 mm; (b) 909 - 909 - 909 with 2M h₃ > 4000 - 3M h₃ > 4350; (c) 881 - 909 - 909 with 2M h₃ > 4000 - 3M h₃ > 4350; (d) 1062 - 1062 - 1092 with 2M h₃ > 4000 - 3M h₃ > 4350; (e) 1062 / 1062 / 1092 with 2M h₃ > 4000 - 3M h₃ > 4350; (f) The reported values indicates the electric motor capacity
 NOTES: Unless otherwise specified, all data refer to vehicles with SE tyres. All performance figures refer to fully run-in vehicles, in perfect working status with homologated tyres mix, battery fully charged and excellent conditions with closed circuit voltage equal to nominal value. Truck performance and dimensions are nominal and subject to tolerances.



CESAB B210 - B215 Dimensional Drawings



The data in this specification sheet was determined based on our standard testing conditions. Operating performance may vary depending on the actual specification and condition of the truck as well as the condition of the operating area. Availability and specifications are determined regionally and are subject to change without notice. Please consult your authorised CESAB Dealership for further details.

Masts specifications

Duplex NFL (1.0 -1.5t)						
h3	Lift height (mm)	2970	3270	3670	4170	4670
h1	Height of mast, lowered (mm)	1990	2140	2340	2590	2890
h2	Free lift (mm)			115		
h4	Height of mast, extended (mm)	3520	3820	4220	4720	5220
α/β	Mast tilt forward/backward			3° / 6°		

Duplex FFL (1.0 -1.5t)						
h3	Lift height (mm)	2870	3170	3670	3970	
h1	Height of mast, lowered (mm)	1940	2090	2340	2490	
h2	Free lift (mm)	1390	1540	1790	1940	
h4	Height of mast, extended (mm)	3420	3720	4220	4520	
α/β	Mast tilt forward/backward			3° / 6°		

Triplex FFL (1.0 -1.5t)							
h3	Lift height (mm)	4280	4470	4970	5670	5970	6470
h1	Height of mast, lowered (mm)	1960	2025	2190	2440	2540	2740
h2	Free lift (mm)	1410	1475	1640	1890	1990	2190
h4	Height of mast, extended (mm)	4830	5020	5520	6220	6520	7020
α/β	Mast tilt forward/backward			3° / 6°			

The data in this specification sheet was determined based on our standard testing conditions. Operating performance may vary depending on the actual specification and condition of the truck as well as the condition of the operating area. Availability and specifications are determined regionally and are subject to change without notice. Please consult your authorised CESAB dealership for further details.
SPEC_B200_EN_2012 / P&B B200 V15 – Copyright CESAB Material Handling Europe.

