



CESAB

spec sheet

CESAB O120X – O118XP

Orderpickers, 2.0 and 1.8 tonnes capacity



CESAB O120X – O118XP

Truck Specifications

CHARACTERISTICS					
1.1	Manufacturer			CESAB	CESAB
1.2	Model designation			O120X	O118XP
1.3	Power unit			Electric	Electric
1.4	Operator type			Stand on	Stand on
1.5	Load capacity/rated load	Q	kg	2000/1800 ³⁾	1800
1.6	Load centre	c	mm	1200/1425	1200/1425
1.8	Centre axle to fork face, raised/lowered forks	x	mm	1485	1485
1.9	Wheelbase, short/long chassis	y	mm	2690/2776	2690/2776
WEIGHT					
2.1	Service weight without battery, short/long chassis		kg	1201/1225	1201/1225
2.2	Axle load, with load, drive/castor/fork wheels				
	short chassis		kg	780/836/943	780/836/943
	long chassis		kg	680/673/1144	680/673/1144
2.3	Axle load, without load, drive/castor/fork wheels				
	short chassis		kg	597/500/339	597/500/339
	long chassis		kg	746/570/293	746/570/293
WHEELS AND TYRES					
3.1	Drive/castor/fork wheels			Polyurethane	Polyurethane
3.2	Wheel size front	Ø x width	mm	250 x 92	250 x 92
3.3	Wheel size rear	Ø x width	mm	85 x 74	85 x 74
3.4	Castor wheels	Ø x width	mm	150 x 78	150 x 78
3.5	Wheels, number front/rear (x=driven wheels)			1x + 1/4	1x + 1/4
DIMENSIONS					
4.2.1	Overall height	h_{15}	mm	1370	1370/2199
4.4	Lift movement	h_3	mm	710	710
	Lift height	h_{23}	mm	800	800
4.8	Stand height	h_7	mm	138	138/980
4.15	Height forks lowered	h_{13}	mm	90	90
4.19	Overall length, short/long chassis	l_1	mm	3784/3870	3784/3870
4.20	Length to face of forks, short/long chassis	l_2	mm	1434/1520	1434/1520
4.21	Overall width	b_1	mm	790	790
4.22	Fork dimensions	s/e/l	mm	70/180/2350, 2850 ³⁾	70/180/2350, 2850
4.25	Width over forks	b_5	mm	550-570	550-570
4.31	Ground clearance	m_1	mm	23	23
4.34	Aisle width Euro pallets 800 x 1200 lengthways	A_{st}	mm	3819	3819
4.35	Turning radius, short/long chassis	W_a	mm	2704/2790	2704/2790
4.44	Clear width driver compartment entrance	l_{24}	mm	450	450
PERFORMANCES					
5.1	Travel speed with/without load ¹⁾		km/h	8,5/12,0	7,0/12,0
5.2	Lift speed with/without load		m/s	0,07/0,12	0,07/0,12
5.3	Lowering speed with/without load		m/s	0,12/0,12	0,12/0,12
5.8	Max. gradeability with/without load ¹⁾		%	5/5	5/5
5.10	Service brake			Electromagnetic	Electromagnetic
ELECTRIC MOTOR					
6.1	Drive motor, rating S2 60 min		kW	2,8	2,8
6.2	Lift motor S3 7%		kW	2,0	2,0
6.4	Battery voltage, nominal capacity K_5		V/Ah	24/620	24/620
6.5	Battery weight min./max.		kg	239/501	239/501
6.6	Energy consumption according to VDI cycle ²⁾		kWh/h		
OTHERS					
8.1	Type of drive control			Powerdrive	Powerdrive
8.4	Sound level at driver's ear according EN 12 053		dB(A)	60	60

1) Measured according to Cesab company standards

2) Contact your CESAB dealer for more information

3) Fork length 2850 mm @ LC 1400 gives 1800 kg capacity

*) Values are for 620Ah battery, other batteries will give different values

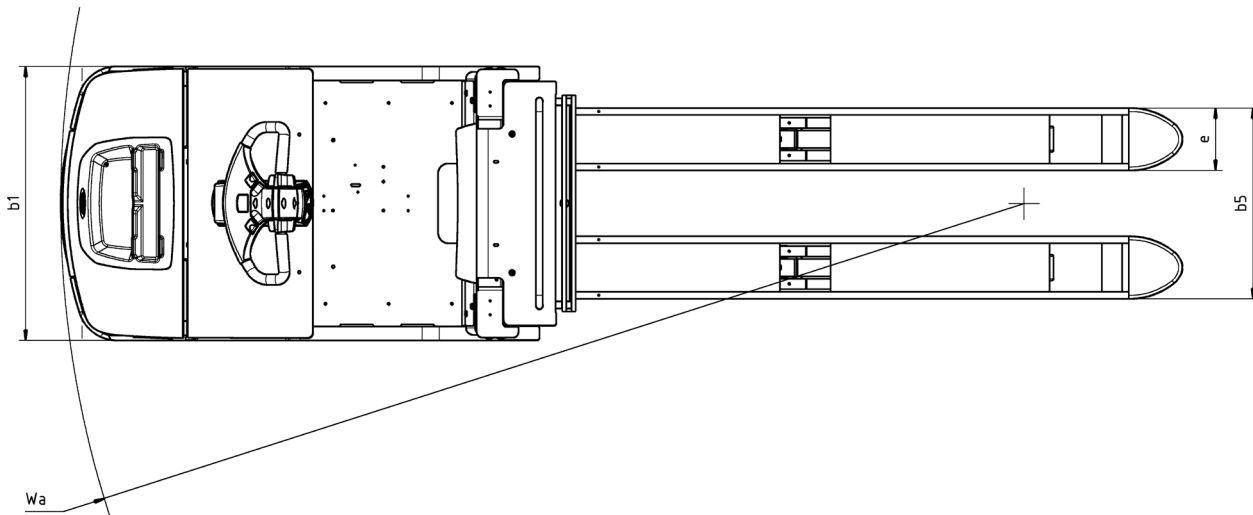
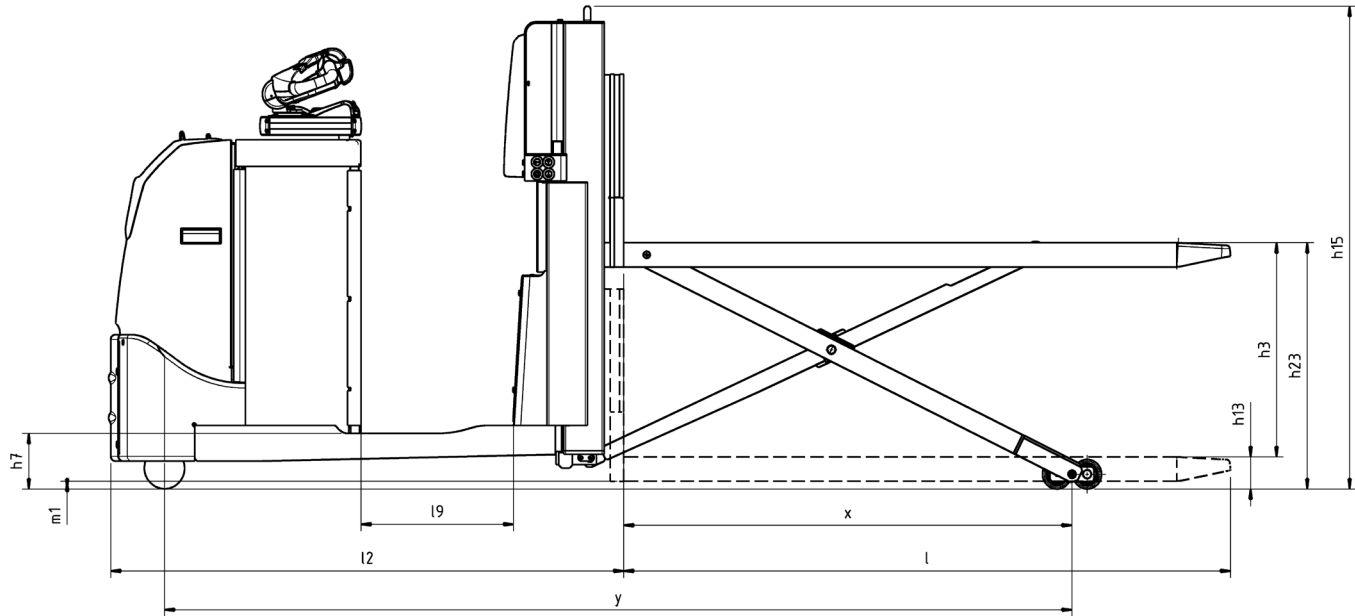
All data is based on the mentioned configuration, other configurations may give different values
Truck performance and dimensions are nominal and subject to tolerances
CESAB products and specifications are subject to changes without notice



Orderpickers, 2.0 and 1.8 tonnes capacity

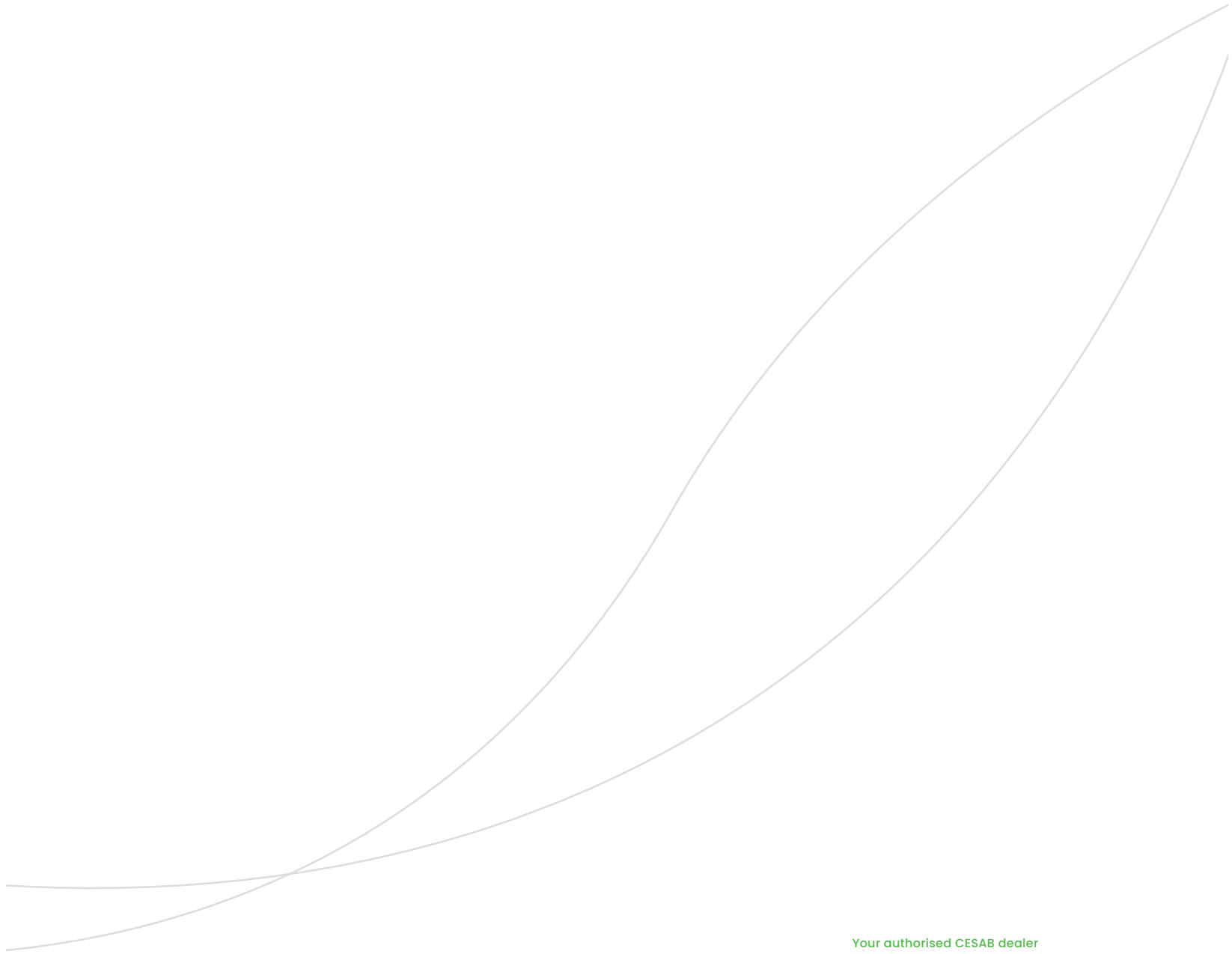
CESAB O120X – O118XP

Dimensional Drawings





www.cesab-forklifts.eu



Your authorised CESAB dealer

Pictures may show optional equipment not included in the basic truck price.
The data in this specification sheet was determined based on our standard testing conditions.
Operating performance may vary depending on the actual specification and condition of the truck
as well as the condition of the operating area.

Availability and specifications are determined regionally and are subject to change without notice.
Please consult your authorised CESAB dealership for further details. SPEC_OI20X-OI80XP_EN_2020 / Ucan 02 -
Copyright CESAB Material Handling Europe.

